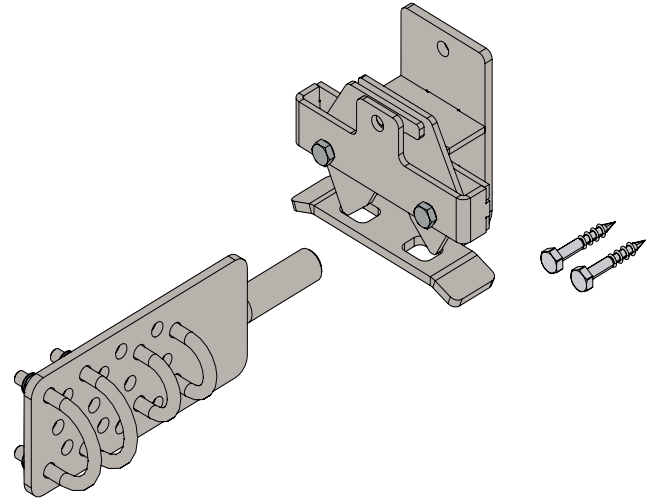
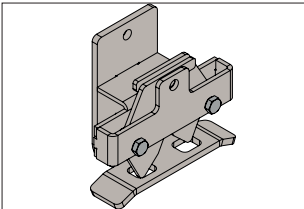
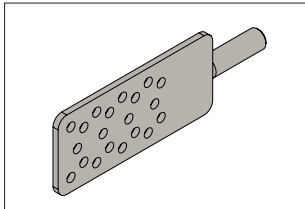
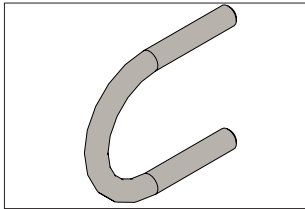
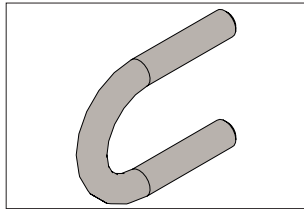
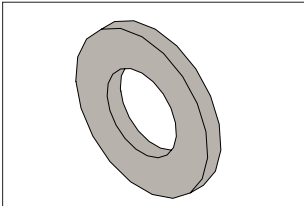
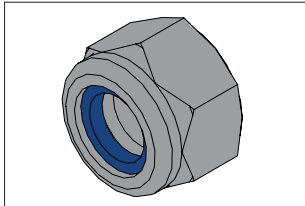
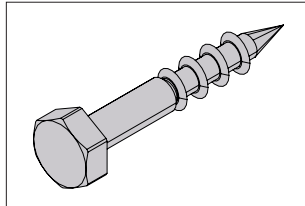




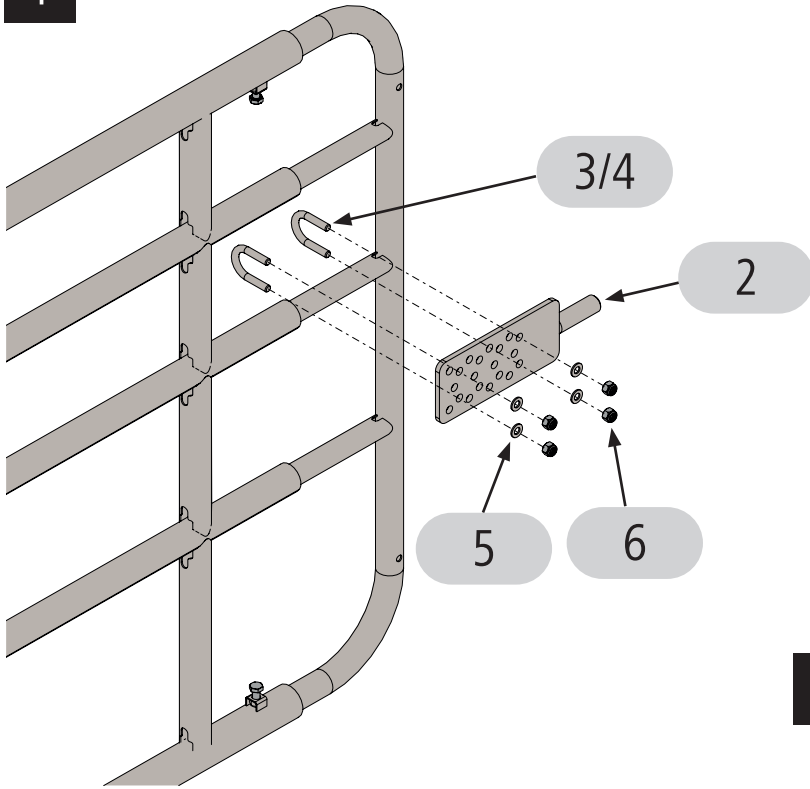
(DE) Zwei Wege Schloss
(FR) Serrure à double sens
(EN) Two-way lock
(ESP) Cerradura bidireccional
(IT) Blocco bidirezionale
(NL) Vergrendeling in twee richtingen
(SLV) Dvosmerna ključavnica
#442942



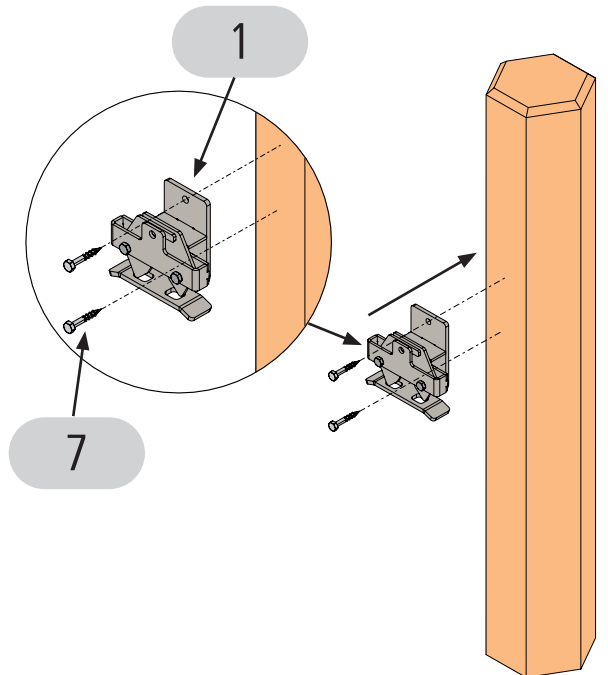
- | | | | |
|--|---|--|---|
| Pos. 1
1x | Pos. 2
1x | Pos. 3
2x
M8x42,4 | Pos. 4
2x
M8x26,9 |
|  |  |  |  |
| Pos. 5
8x
A8.4 | Pos. 6
8x
M8 | Pos. 7
2x
8x50 | |
|  |  |  | |



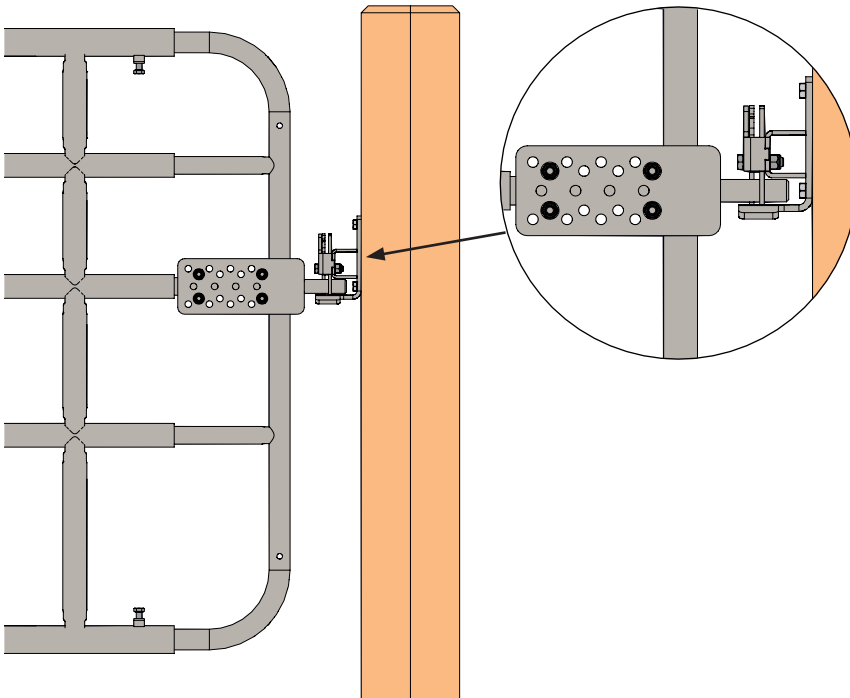
1



2



3

**Albert Kerbl GmbH**

Felizenzell 9
84428 Buchbach, Germany
Tel. +49 8086 933 - 100
Fax +49 8086 933 - 500
info@kerbl.com
www.kerbl.com

Kerbl Austria Handels GmbH

Wirtschaftspark 1
9130 Poggendorf
Tel. +43 4224 81555
Fax. +43 4224 81555 - 629
order@kerbl-austria.at
www.kerbl-austria.at

Kerbl France Sarl

3, rue Henri Rouby, BP 46 - ZI SOULTZ
68501 GUEBWILLER CEDEX, France
Téléphone +33 (0)3 89 62 15 00
Fax +33 (0)3 89 83 04 46
E-Mail info@kerbl-france.com
www.kerbl-france.com

Kerbl UK Ltd

Lands End Way
Oakham, Rutland
LE15 6RF, UK
Phone +44 (0) 1572 722558
Fax +44 (0) 1572 757614
www.kerbl.co.uk