

Precision Adjusting Aid Torqui

Using the Torqui "torque wrench", you can easily adjust the blade set for the Favorita.

- the ultimate tool for optimum shearing blade pressure
- consistent edge-retention
- increase in the blade set's service life since the interval between grindings is extended

1. position the pins in the holes provided on the adjusting screw
2. turn clockwise "Click Click" until the Torqui is idling

Item number GT142



Aesculap Favorita Blade Sets

Precision from the profi, for the profi!

Blade set from Aesculap Schermaschinen are precision parts which aim at perfection.

The blade set determines the performance of every clipper. The Favorita blade set from the metal forge in Suhl/Thuringia are genuine "Made-in-Germany" products.

Exceptionally high-quality cutting tools are manufactured from top-quality carbon blanks in several production stages, in compliance with medical technology directives. Except for the hardening process, the parts never leave the production facility.

This in-house production can only be to your advantage:

- **unmatched long cutting durability**, thanks to first-grade carbon steel
- **consistently high cutting capacity** of each individual blade set, thanks to state-of-the-art CNC grinding and milling equipment
- **exceptional coat gliding behaviour**, thanks to high-end surface finish
- **uniform and clean cutting pattern**, thanks to the specially developed tooth geometry
- **extremely regrindable, often up to 7 times**, thanks to the combination of material hardness, quality and manufacturing expertise

NEW Blade Sets with DLC Coating



The Aesculap "Diamond-like Carbon" (DLC) coating perfectly combines the property profiles of diamond- and Teflon-based surface enhancement.

This special coating guarantees outstanding product properties:

- high wear protection and longer service life
- excellent gliding thanks to minimised frictional resistance
- extended edge retention
- increased corrosion protection
- reduced care requirement thanks to dirt-repellent surface
- less heat development



Aesculap clippers – quality from Germany – since 1912

Any questions about our clippers?

Our product experts will be pleased to answer all of your questions about the types of machines, blades, and the professional use of the equipment.

Germany hotline:
+49 8086 933-552

Email:
clippers@kerbl.com

Albert Kerbl GmbH
Felizenzell 9
84428 Buchbach
Germany

www.kerbl.com

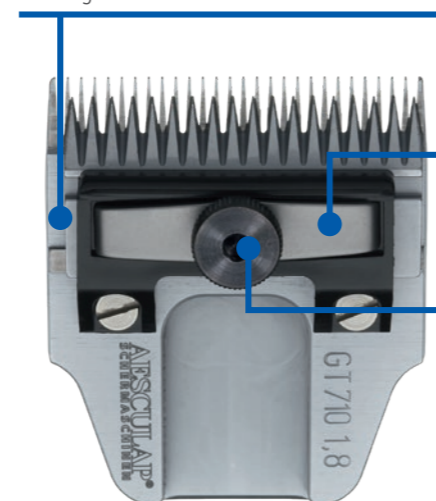
Hotline in UK:
+44 (0) 1572 722558

E-mail :
enquiries@kerbl.co.uk

Kerbl UK Limited
8 Lands End Way
Oakham, Rutland
LE15 6RF UK

www.kerbl.co.uk

Precision hollow grinding for the best shearing results

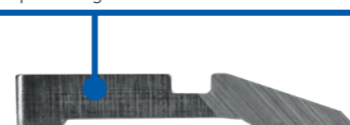


Specially developed tooth geometry for precise immersion in the coat

Favorita exclusive: precision plate pressure setting and adjustment, using the knurled screw

Special screw head for using the Aesculap-Torqui = optimum plate pressure

First-class raw materials for long-lasting cutting, and up to 7 regrinds



Exceptional coat gliding behaviour due to high-end surface finish



AESCULAP®
CLIPPERS

Quality from Germany – since 1912



Favorita CLi Vet

Cordless Clipper with Information Display

Aesculap Cordless Clippers Favorita CLI

Latest generation of cordless Favorita
THE innovative and familiarly powerful cordless clipper for professional use! The integrated "InfoLED Display" shows the battery charge status as well as oil and cleaning instructions at any time.

- enormous pulling power with 3,300 strokes, thanks to high-quality brushless motor
- Li-ion batteries of the latest technology guarantee extremely long operating times compared to the previous model
- ergonomic and perfectly balanced
- weight of only 390 g for fatigue-free working
- charging station with LED display and charging bays for machine and spare battery
- Battery run time: up to 3 hours
- Battery charge time: 4 hours
- Supplied without blade set



Favorita InfoLED:

- shows the battery charge status on contact when required - even when switched off
- situational warning in the form of an oil can when the time interval for oiling is exceeded
- situational warning if the control registers a problem, e.g. due to overheating

You can choose between 2 colour and 2 equipment variants:

- blue or red
- 1 battery or 2 batteries

GT234-NB blue 1 battery
GT236-NB blue 2 batteries
GT234-SR red 1 battery
GT236-SR red 2 batteries



Which blade should I use for which application?

The blade advisor for Favorita blade sets

It is important to use the right blade set for each coat type and for the various parts of an animal. There is a wide range of Aesculap Favorita blade set available.

These figures are indicative and based on experience; coat structures can vary by individual animal. We recommend analysing the coat structure before each use of the clippers.

Blade set	Designation	Size	Cutting height	Shear width	Use / application for animal breeds	Coat structure	Body part	VET application
GH700 GH700D	Blade set Favorita 0.05 mm		0,05 mm	40 mm	mixed breeds, cats, rabbits	all coat structures	preparation of surgical sites	Venupuncture
GH703 GH703D	Blade set Favorita 0.1 mm		0,1 mm	40 mm	mixed breeds, cats, rabbits	all coat structures	preparation of surgical sites	Biopsy Areas
GT730	Blade set Favorita 0.5 mm	#30	0,5 mm	40 mm	mixed breeds, cats, rabbits	matted coat	Body	Ultrasound preparation
GT772	Blade set Favorita 0.7 mm	#5/8	0,7 mm	20 mm	all breeds		Paw shearing	
GH712	Blade set Favorita 1.0 mm		1,0 mm	40 mm	all breeds		Paw shearing	Ultrasound preparation
GT736	Blade set Favorita 1.0 mm		1,0 mm	40 mm	mixed breeds, poodles, doodles, Havanese, terriers, all cut breeds	matted coat	Body	Ultrasound preparation
GT746	Blade set Favorita 1.5 mm	#15	1,5 mm	40 mm	cats, rabbits, dog breeds with very fine fur	matted coat / very fine coat	Body	
GT710	Blade set Favorita 1.8 mm	#10	1,8 mm	40 mm	cats, rabbits, dog breeds with very fine fur	matted coat / very fine coat	Body	
GH715	Blade set Favorita 2.0 mm	#9	2,0 mm	40 mm	mixed breeds, cats, rabbits	matted coat	Body	
GT742	Blade set Favorita 2.0 mm		2,0 mm	40 mm	mixed breeds, poodles, doodles, Havanese, terriers, all cut breeds	normal coat structure / matted coat	Anal area	

Areas of application

Fullclip



full clipping of small animals such as dogs, cats, and rabbits

Partclip



partial clipping of large animals such as cattle or horses

Care steps for Favorita blade set

The tooth spaces must also be given a thorough cleaning. When using a disinfectant, the blade set should be dried thoroughly to prevent corrosion. After cleaning, the blade set must be oiled. Only use original Aesculap clipper oil GT604.



Disassembly



Cleaning



Drying



Oiling

The blade must be oiled with the blade set attached before each use!

You should oil every 5-10 minutes during operation. This is done by adding 3 drops of the special clipper oil on the teeth and 2 drops between the teeth.



After oiling, let the machine run for a few seconds so that the oil can distribute itself well and thus not be transferred to the hair of the animal.

With proper maintenance and care, you can increase the durability of the blade set by up to 20 %. This can also delay when re-sharpening is required.



We recommend our BladeCool GTA103 for cleaning, cooling and oiling.